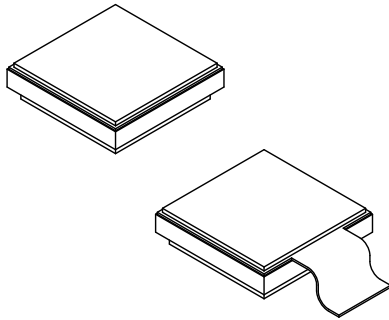


Sedpack™ / SED2



- Surface Mount Device
- Hermetically Sealed Package
- $R_{\theta JC} = 0.7^{\circ}\text{C/W}$ (typ)
- Weight: 0.6 g (typ)
- Small Footprint

