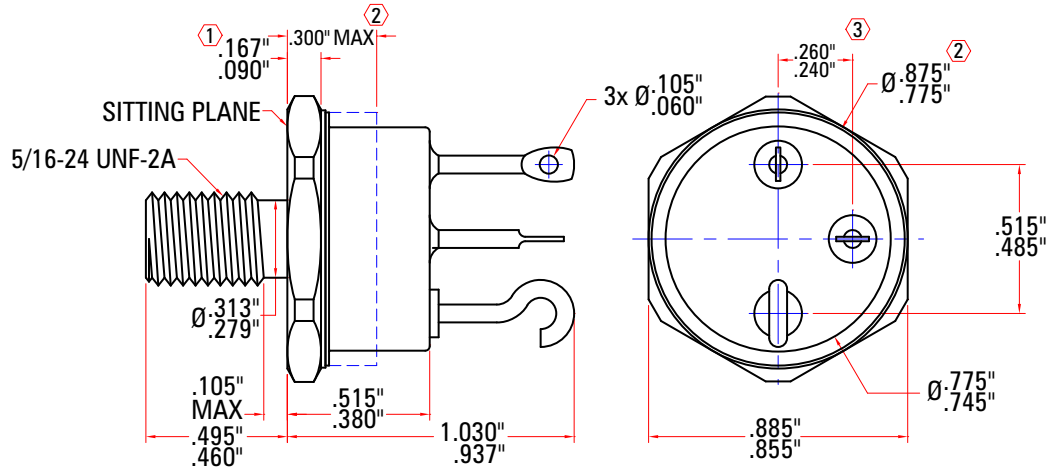
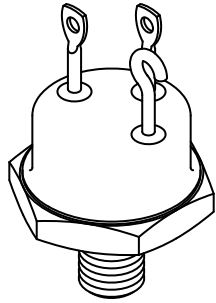


T0-63



- Hermetically Sealed Package

NOTES:

- ① DIMENSION DOES NOT INCLUDE SEALING FLANGES.
- ② PACKAGE CONTOUR OPTIONAL WITHIN DIMENSIONS SPECIFIED.
- ③ POSITION OF LEADS IN RELATION TO HEXAGON IS NOT CONTROLLED.