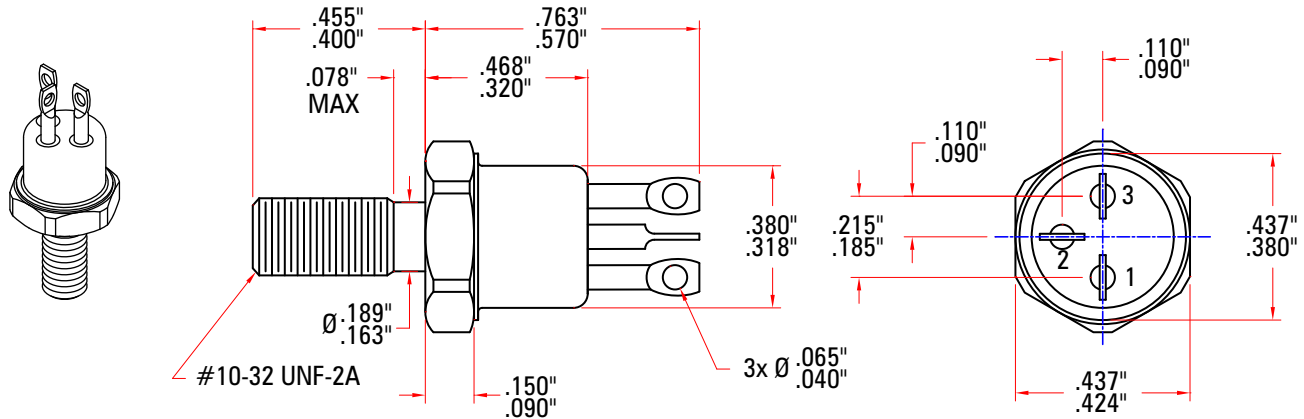


# T0-59 (3 Pins)



- Hermetically Sealed Package
- Weight: 5.5 g (typ)
- Ultrasonic Aluminum Wire Bonds