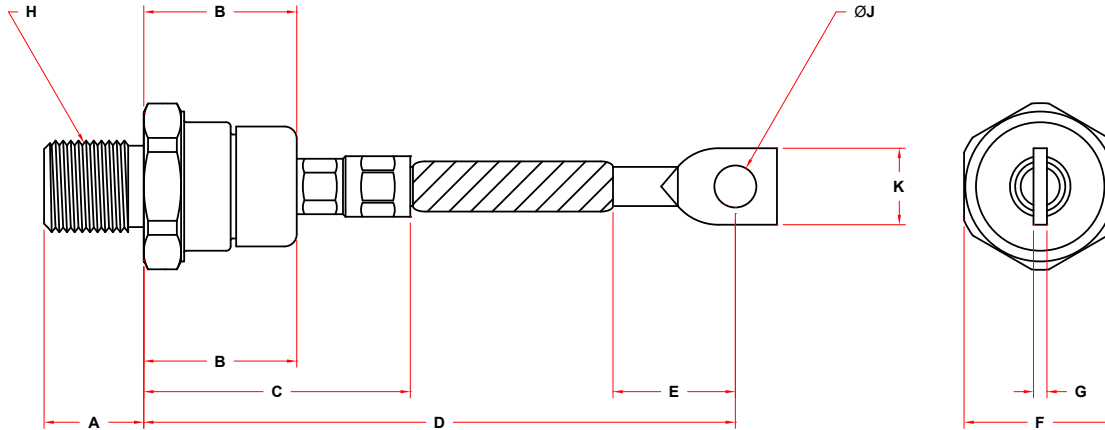
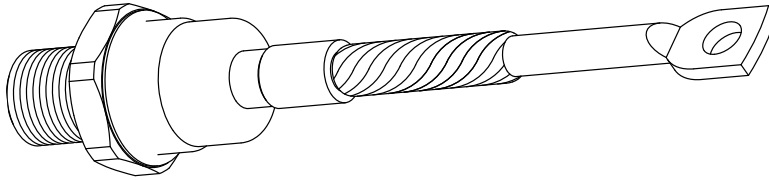


D0-9



| DIMENSIONS (in.) | | |
|------------------|-------------|-----------|
| DIM | MIN | MAX |
| A | 0.790 | 0.830 |
| B | -- | 1.600 |
| C | -- | 2.250 |
| D | 5.000 | 6.000 |
| E | 0.800 | 2.200 typ |
| F | 1.212 | 1.250 |
| G | 0.063 | 0.172 |
| H | 0.75-16 UNF | |
| J | 0.265 | 0.350 |
| K | 0.530 | 0.755 |

For reference only, please refer to SSDI data sheets for more information.

Tolerance (unless otherwise specified): XXX ± .005"
XX ± .010"