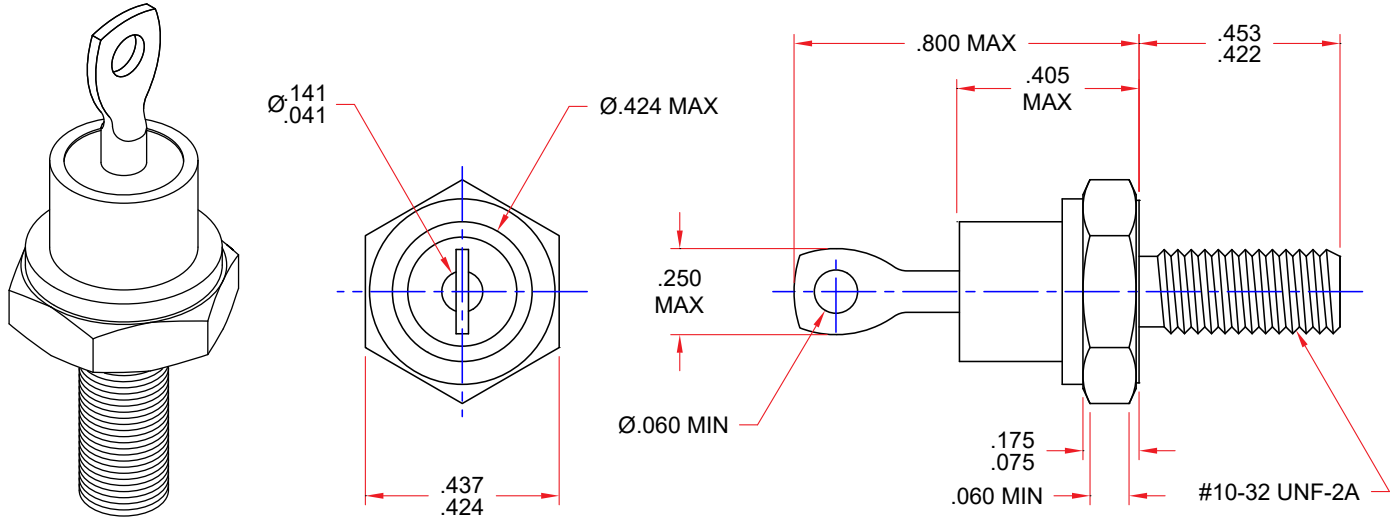


D0-4



For reference only, please refer to SSDI data sheets for more information.

Tolerance (unless otherwise specified): XXX \pm .005"
XX \pm .010"