



Solid State Devices, Inc.

14701 Firestone Blvd * La Mirada, Ca 90638
Phone: (562) 404-7855 * Fax: (562) 404-1773
ssdi@ssdi-power.com * www.ssdi-power.com

SSR30200CTJ – SSR30250CTJ Series

DESIGNER'S DATA SHEET

Part Number / Ordering Information ^{1/}

SSR30200

SSR30250

CT J

— —

Screening ^{2/} — = Not Screened

TX = TX Level

TXV = TXV Level

S = S Level

Lead Bending:

— = Straight

UB = Up Bend

DB = Down Bend

J = TO-257

Package:

Configuration: CT = Common Cathode

CA = Common Anode

D = Doubler

DR = Doubler Reverse

**30 AMP
200 – 250 VOLTS
CENTERTAP
SCHOTTKY RECTIFIER**

Features:

- Low Reverse Leakage Current
- Low Forward Voltage Drop
- High Surge Rating
- Available with Ceramic Seals
- 175°C Operating Temperature
- Ultrasonic Aluminum Wire Bonds
- Hermetically Sealed Package
- Custom Lead Forming Available
- TX, TXV, and S Level Screening Available

Maximum Ratings	Symbol	Value	Unit
Peak Repetitive Reverse and DC Blocking Voltage	V_{RRM} V_{RWM} V_R	200 250	V
Average Rectified Forward Current ^{4/} (Resistive Load, 60 Hz Sine Wave, $T_A = 25^\circ\text{C}$)	I_o	30 ^{5/}	A
Peak Surge Current ^{4/} (8.3 ms Pulse, Half Sine Wave, $T_A = 25^\circ\text{C}$)	I_{FSM}	200 ^{5/}	A
Operating & Storage Temperature	T_{OP} & T_{STG}	-65 to +175	°C
Maximum Thermal Resistance Junction to Case	Total ^{4/} Per Leg $R_{\theta JC}$	1.2 2.0	°C/W

NOTES: *Pulsed per MIL-STD-750.

^{1/} For ordering information, price, and availability, contact factory.

^{2/} Screening based on MIL-PRF-19500. Screening flows available on request.

^{3/} All electrical characteristics per leg @ 25°C, unless otherwise specified.

^{4/} Maximum electrical rating shown for centertap configurations both legs tied together.

^{5/} For doubler configurations: $I_o = 15$ A, $I_{FSM} = 100$ A.

TO-257 (J)



*Dime used for size reference

NOTE: All specifications are subject to change without notification. SSD's for these devices should be reviewed by SSDI prior to release.

DATA SHEET #: SH0136A

DOCX

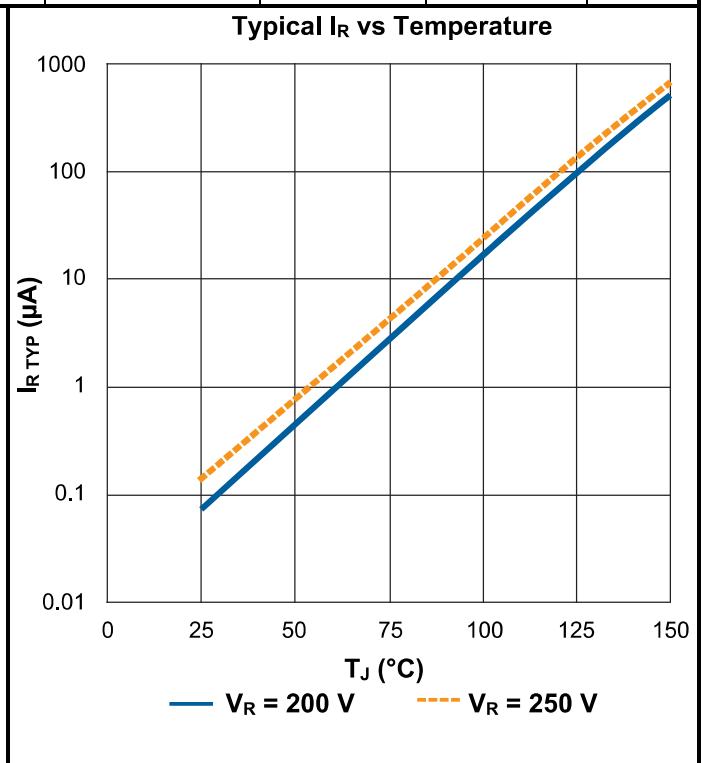
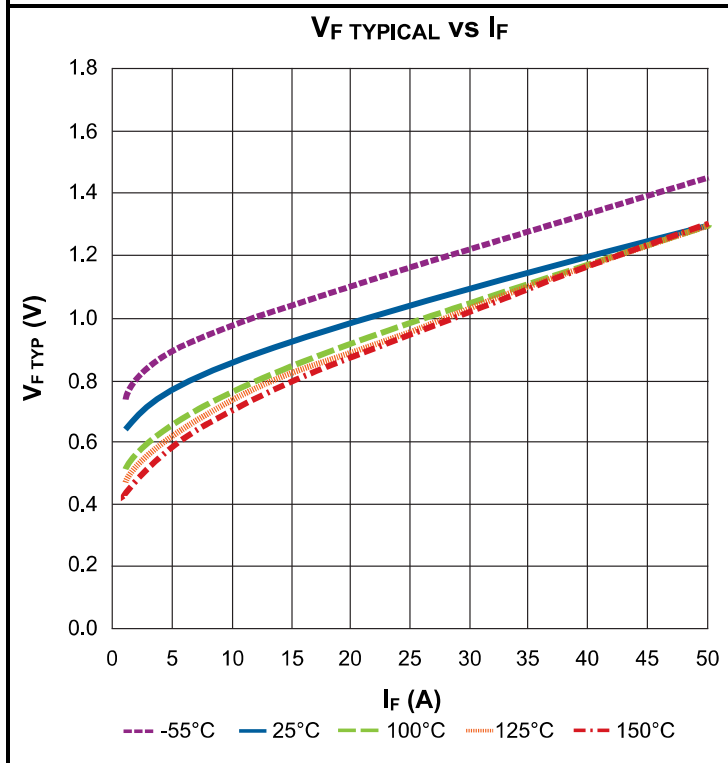


Solid State Devices, Inc.

14701 Firestone Blvd * La Mirada, Ca 90638
 Phone: (562) 404-7855 * Fax: (562) 404-1773
 ssdi@ssdi-power.com * www.ssdi-power.com

SSR30200CTJ – SSR30250CTJ Series

Electrical Characteristic (per leg)		Symbol	Typ	Max	Unit
Instantaneous Forward Voltage Drop (T _A = 25°C, pulsed)	I _F = 5 A	V _{F1}	0.77	-	V _{DC}
	I _F = 10 A	V _{F2}	0.86	-	
	I _F = 15 A	V _{F3}	0.93	1.01	
Instantaneous Forward Voltage Drop (T _A = 125°C, pulsed)	I _F = 15 A	V _{F4}	0.82	0.90	V _{DC}
Instantaneous Forward Voltage Drop (T _A = -55°C, pulsed)	I _F = 15 A	V _{F5}	1.04	-	V _{DC}
Reverse Leakage Current (T _A = 25°C, pulsed)	V _R = 200 V	I _{R1}	0.10	5	μA
	V _R = 250 V		0.20	50	
Reverse Leakage Current (T _A = 125°C, pulsed)	V _R = 200 V	I _{R2}	110	500	μA
	V _R = 250 V		150	1000	
Reverse Leakage Current (T _A = 150°C, pulsed)	V _R = 200 V	I _{R3}	520	-	μA
	V _R = 250 V		700	-	
Junction Capacitance (T _A = 25°C, f = 1 MHz)	V _R = 5 V	C _J	260	330	pF
	V _R = 10 V		187	-	



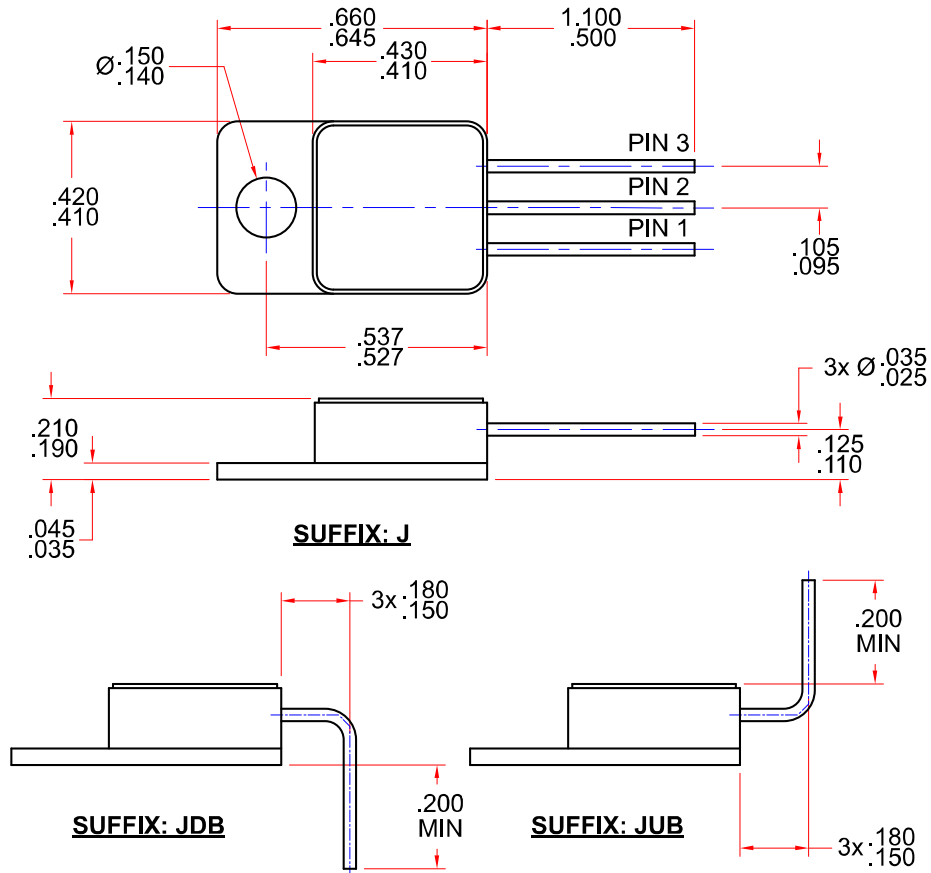


Solid State Devices, Inc.

14701 Firestone Blvd * La Mirada, Ca 90638
 Phone: (562) 404-7855 * Fax: (562) 404-1773
 ssdi@ssdi-power.com * www.ssdi-power.com

SSR30200CTJ – SSR30250CTJ Series

Case Outline: TO-257 (J)



PIN ASSIGNMENT

Configuration		Pin 1	Pin 2	Pin 3
Common Cathode (CT)		Anode	Cathode	Anode
Common Anode (CA)		Cathode	Anode	Cathode
Doubler (D)		Cathode	AC	Anode
Doubler Reverse (DR)		Anode	AC	Cathode

NOTE: All specifications are subject to change without notification. SCD's for these devices should be reviewed by SSDI prior to release.

DATA SHEET #: SH0136A

DOCX