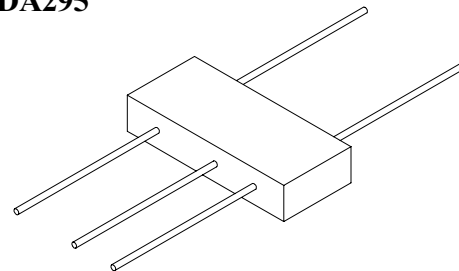


**SOLID STATE DEVICES, INC.**14830 Valley View Blvd * La Mirada, Ca 90638
Phone: (562) 404-7855 * Fax: (562) 404-1773**SDA295A
thru
SDA295G****Designer's Data Sheet****FEATURES:**

- PIV 50 to 1000 Volts
 - Average Output 5A.
 - Reverse Recovery 5 μ sec Max
 - Subminiature Design for Mounting Versatility
 - Hermetically Sealed Rectifier Cells
 - Maximum Thermal Resistance 5.0°C/W
 - -55 to +150°C Operating and Storage Temperature
 - Fast and Ultra Fast Assemblies Available
- TX and TXV Level Screening Available

**5 AMPS
50 - 1000 VOLTS
STANDARD RECOVERY
THREE PHASE BRIDGE**

SDA295

**ELECTRICAL CHARACTERISTICS**

Part Number	Peak Inverse Voltage (per Leg)	Average Rectified Current		Maximum Surge Current (1 Cycle)	Maximum Forward Voltage (per Leg)	Maximum Reverse Current (@ PIV)	
		I_O				I_R	
Symbol	PIV	I_O		I_{FSM}	V_F	I_R	
Units	Volts	Amps		Amps	Volts	μA	
Conditions	25°C	55°C	100 °C	25°C	$I_F= 5A, T_A= 25^\circ C$	25°C	100°C
SDA295A	50	5	2.6	70	1.20	2.0	150
SDA295B	100	5	2.6	70	1.20	2.0	150
SDA295C	200	5	2.6	70	1.20	2.0	150
SDA295D	400	5	2.6	70	1.20	2.0	150
SDA295E	600	5	2.6	70	1.20	2.0	150
SDA295F	800	5	2.6	70	1.20	2.0	150
SDA295G	1000	5	2.6	70	1.20	2.0	150

NOTES:

1. Maximum forward voltage measured with instantaneous forward pulse of 300 μ sec minimum.
2. Unless otherwise specified: $T_A = 25^\circ C$.

NOTE: All specifications are subject to change without notification. SCD's for these devices should be reviewed by SSDI prior to release.

DATA SHEET # : RA0010A

**SDA295A
thru
SDA295G**

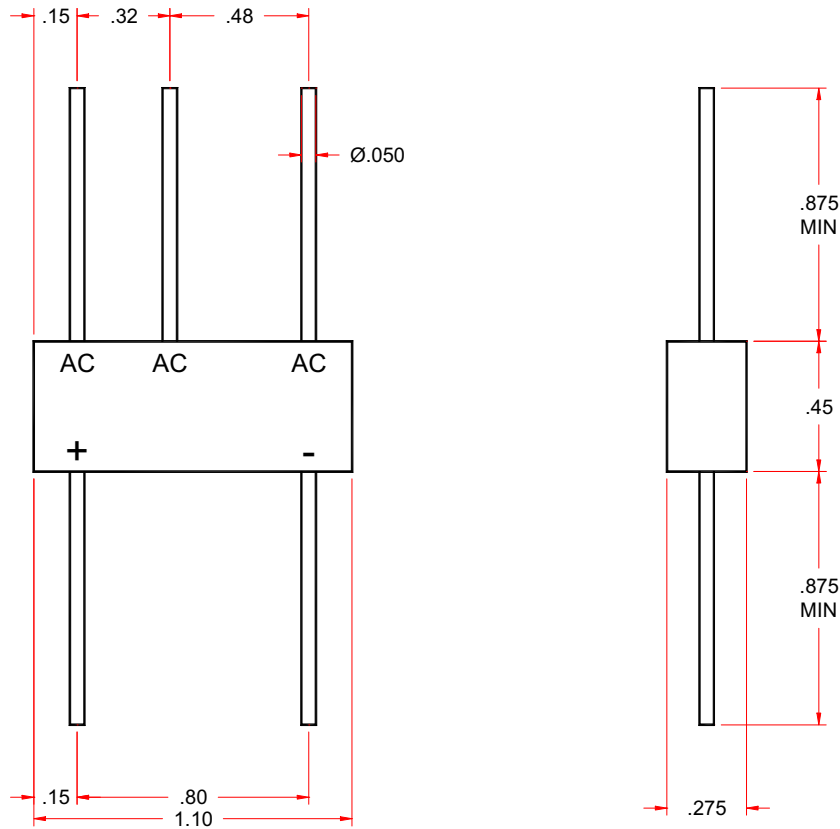
PRELIMINARY



SOLID STATE DEVICES, INC.

14830 Valley View Blvd * La Mirada, Ca 90638
Phone: (562) 404-7855 * Fax: (562) 404-1773

PACKAGE OUTLINE: SDA295



NOTES:

Consult manufacturing for operating curves.