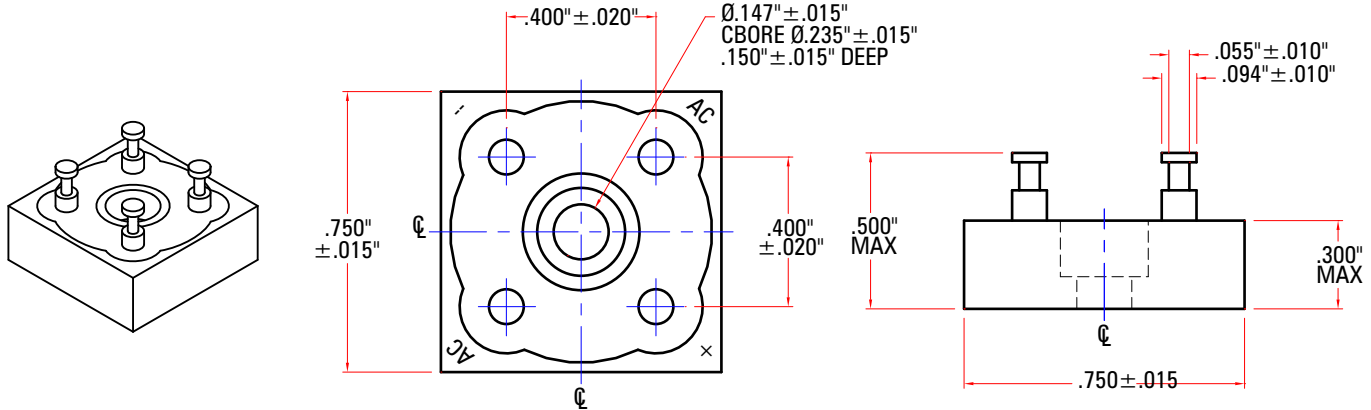


# SDA267 (Turrets)



- Hermetically Sealed Diode Cells
- Aluminum Case
- $R_{\theta JC} = 5.0^{\circ}\text{C/W}$