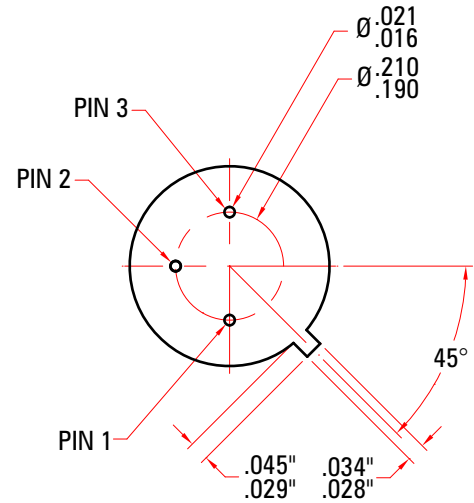
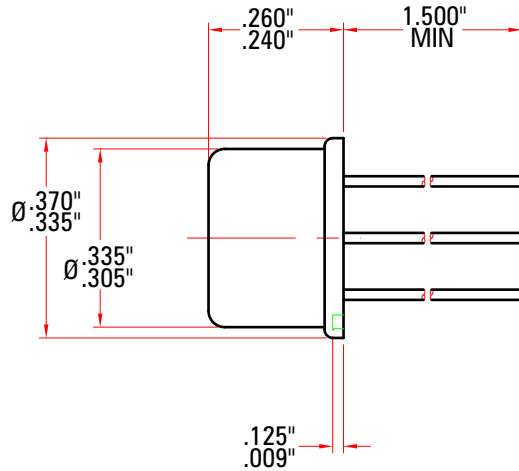
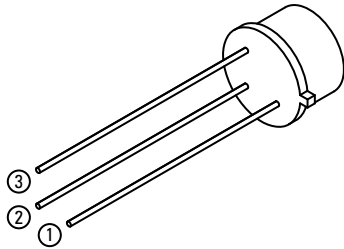


# T0-5



For reference only, please refer to SSDI data sheets for more information.

Tolerance (unless otherwise specified): XXX  $\pm .005''$   
XX  $\pm .010''$