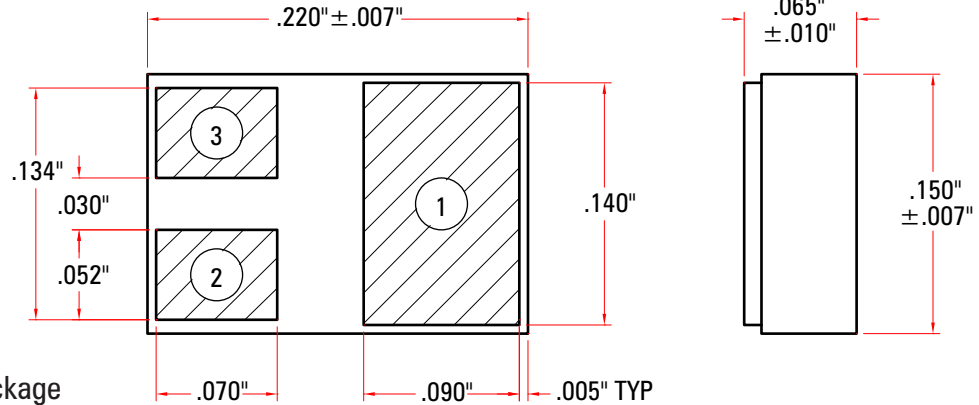
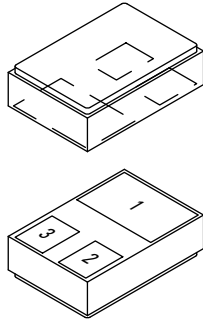


# SMD.22



- Surface Mount Device
- Hermetically Sealed Package
- $R_{\theta JC} = 5^{\circ}\text{C/W}$  (typ)
- Small Footprint