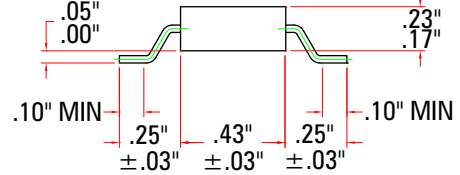
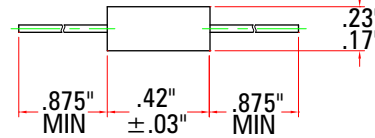
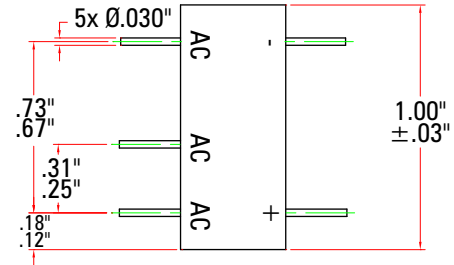
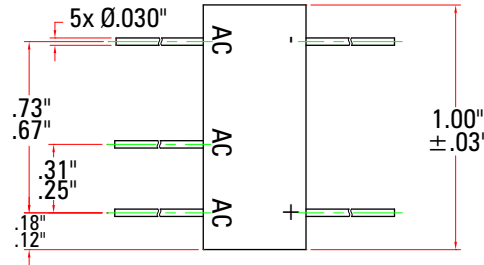
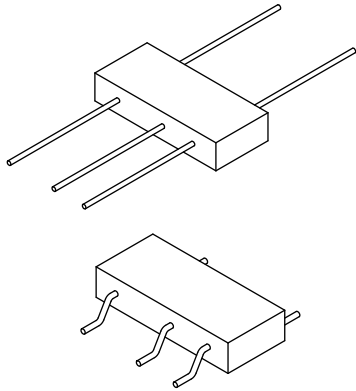


# SDA173



- Hermetically Sealed Internal Discretes
- Thermal Conductive Epoxy Encapsulated