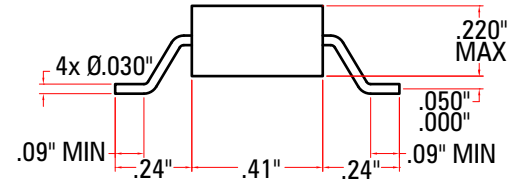
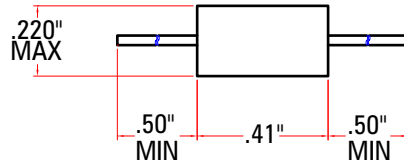
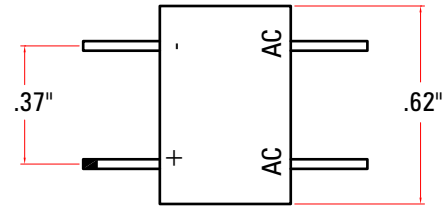
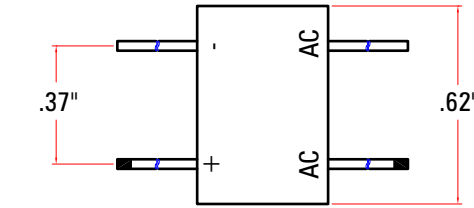
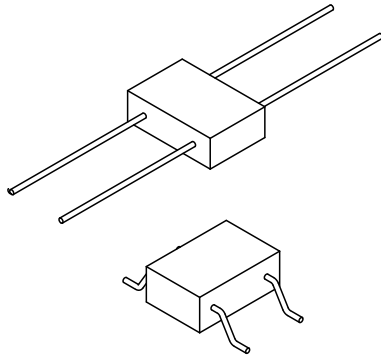


SDA172



- Hermetically Sealed Internal Discretes
- Thermal Conductive Epoxy Encapsulated
- Surface or Radial Mounting