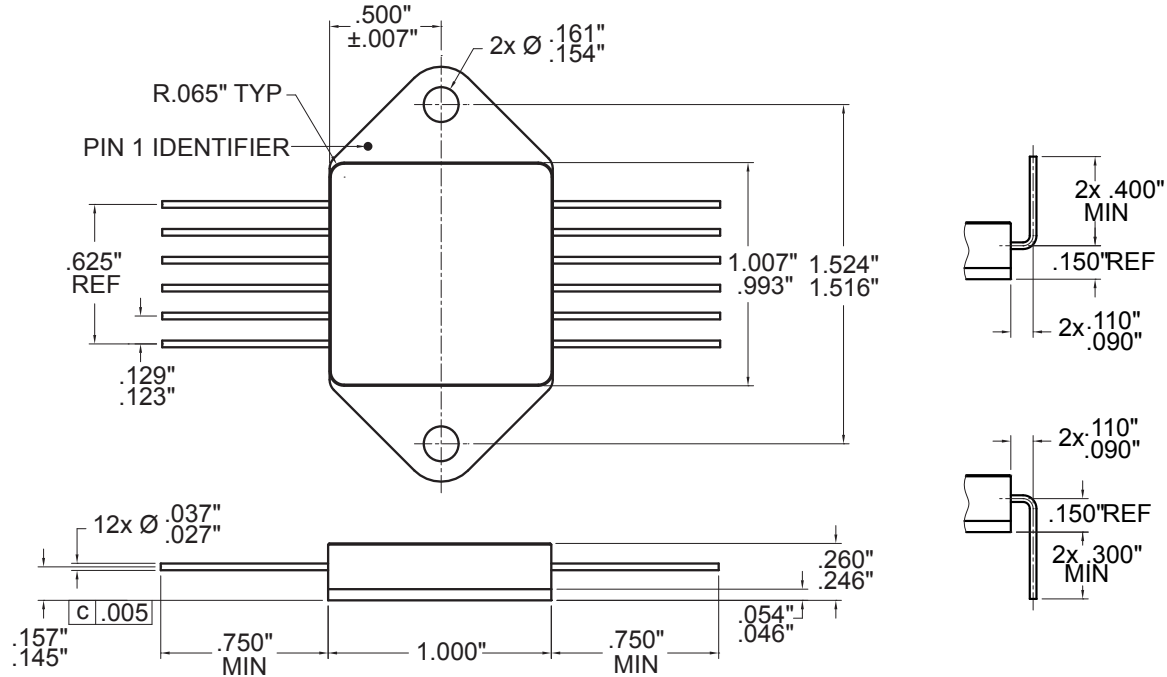


Flat Pack - 12 Pin Package



For reference only, please refer to SSDI data sheets for more information.

Tolerance (unless otherwise specified): $XXX \pm .005''$
 $XX \pm .010''$