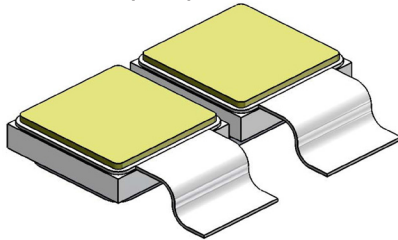


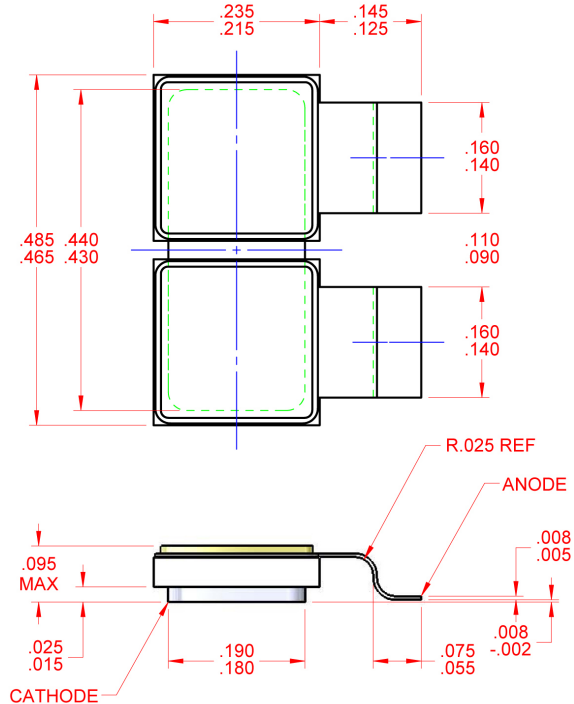
CENTERTAP SEDPACK (CT1)



Front Mount (CT1)



- Surface Mount Device
- Hermetically Sealed Package
- Smaller Footprint than TO-254 Package
- Hot Case Package
- Weight: 0.65 g (typ)



For reference only, please refer to SSDI data sheets for more information.

Tolerance (unless otherwise specified): XXX ± .005"
XX ± .010"