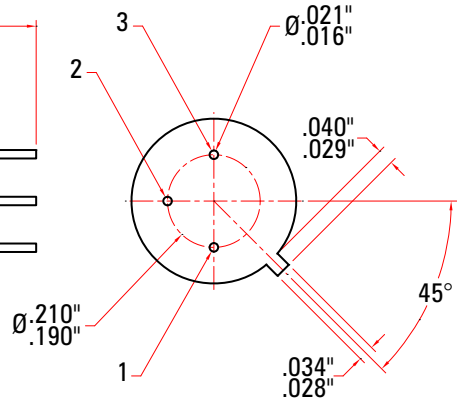
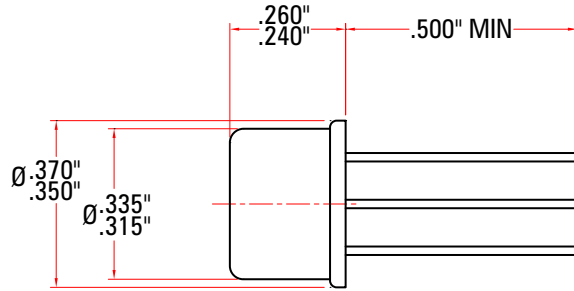
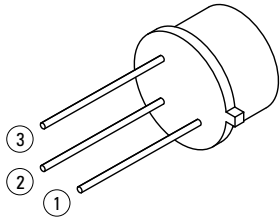


T0-39



- Hermetically Sealed Package