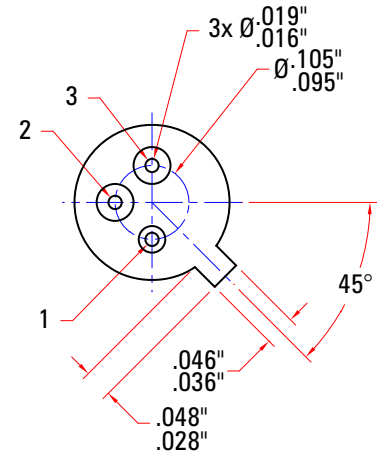
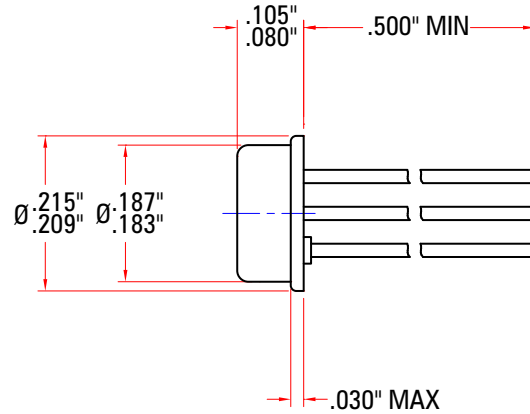
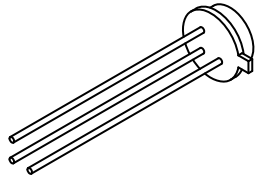


T0-46



For reference only, please refer to SSDI data sheets for more information.

Tolerance (unless otherwise specified): XXX $\pm .005''$
XX $\pm .010''$