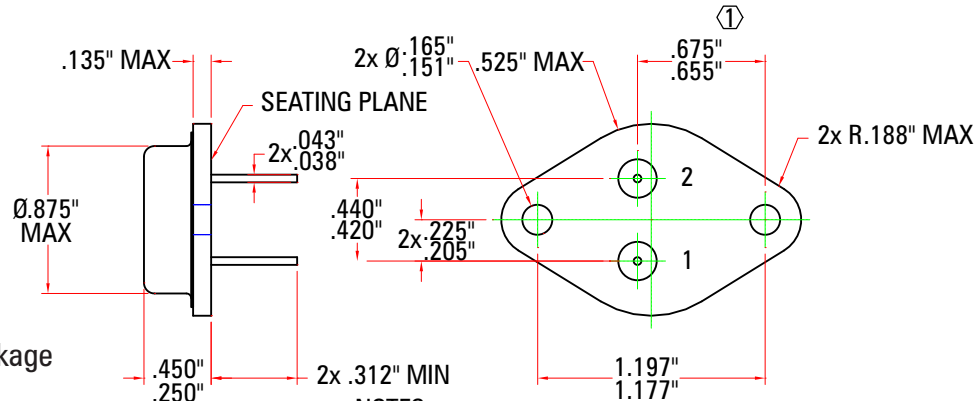
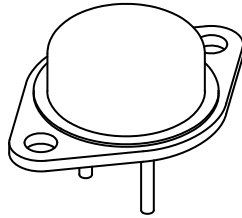


# T0-3



- Hermetically Sealed Package
- Weight: 14.6 g (typ)
- Ceramic Seals for Improved Hermeticity Available

NOTES:  
① THIS DIMENSION SHALL BE MEASURED AT POINTS  $.050'' - .055''$  BELOW THE SEATING PLANE. WHEN GAGE IS NOT USED, MEASUREMENT WILL BE MADE AT SEATING PLANE.  
THIS OUTLINE DOES NOT MEET THE MINIMUM CRITERIA ESTABLISHED BY JS-10 FOR REGISTRATION.