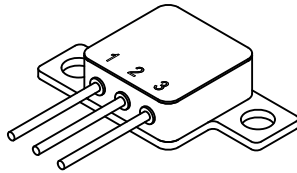
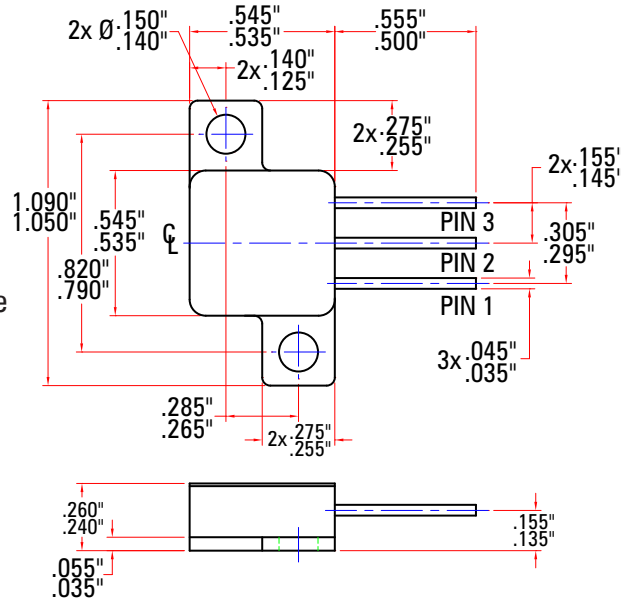


T0-254Z



- Hermetically Sealed Package
- $R_{\theta JC} = 1.2^{\circ}\text{C/W}$ (typ)
- Weight: 6.0 g (typ)
- Ceramic Seals for Improved Hermeticity Available



For reference only, please refer to SSDI data sheets for more information.

Tolerance (unless otherwise specified): $XXX \pm .005''$
 $XX \pm .010''$